

# BOL-G2 SERIES Outdoor Lighting

BOL-G2-103D-MCTP-BR  
BOL-G2-103D-MCTP-BK  
MODULAR BOLLARD SYSTEM G2

**MCTP** Multi Color Temperature & Multi Power/Wattage (Selectable)

Customer Name: \_\_\_\_\_

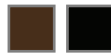
Project Name: \_\_\_\_\_

Note: \_\_\_\_\_

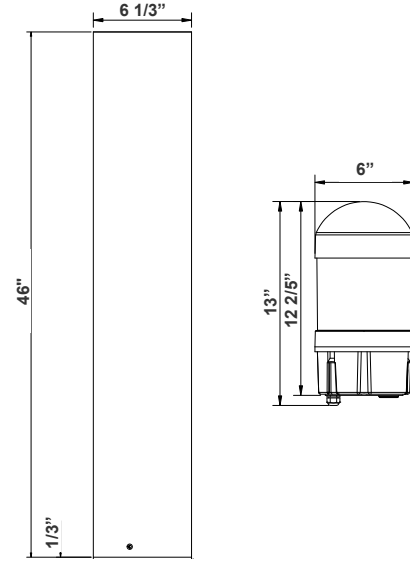
Type: \_\_\_\_\_



Avail Finish:



Bollards are designed for walkways, entrance ways, drives and other small-area lighting applications where low mounting heights are desirable



46"(H) x 6"(W) x 6 1/3"(D)

## Features

- Corrosion Resistant Aluminum for Exterior
- Samsung 2835 LED Chips
- Wattage & CCT Selectable Switches inside fixture
- 7-Year Warranty

## Technical Specifications

### Electrical:

- Voltage: 120-277VAC
- Wattage: 14W/19W/24W
- Power Factor: >0.9
- Efficacy: 125 LPW

### Lighting:

- Wattage & CCT Selectable Switches inside fixture
- Lumens: 3000LM Max.
- Color Temperatures: 3000K/4000K/5000K
- Color Rendering Index: CRI ≥ 70
- Beam Angle : 360°
- Lifespan: 70000 Hours

### Mechanical:

- Flat Top with Cone Reflector & Frosted Lens
- Corrosion Resistant Aluminum for Exterior
- Mounting Accessories & Anchor Bolts Included (7-1/2" long)
- Operating Temperature: -40°F to 113°F
- 7 Years Warranty
- IP Rating: IP65, Wet Locations

### Applications:

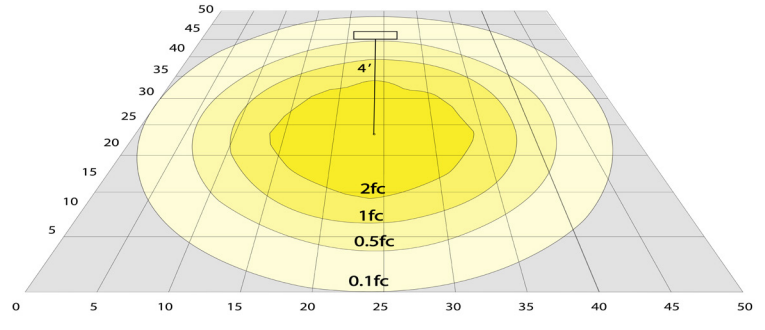
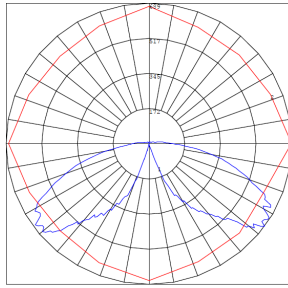
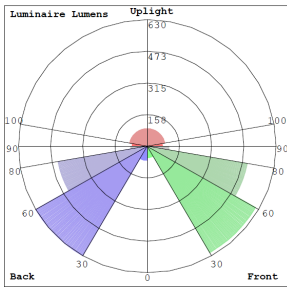
- Bollards are designed for walkways, entrance ways, drives and other small-area lighting applications where low mounting heights are desirable

### Other Models:

- 24W | 3000LM | BOL-G2-107F-MCTP-BK • 24W | 3000LM | BOL-G2-103F-MCTP-BK • 24W | 3000LM | BOL-G2-107D-MCTP-BK
- 24W | 3000LM | BOL-G2-107F-MCTP-BR • 24W | 3000LM | BOL-G2-103F-MCTP-BR • 24W | 3000LM | BOL-G2-107D-MCTP-BR



## Photometrics: BOL-G2-103D-MCTP



BUD Rating: B1-U3-G2

Area 75'x 65' Mounting Height: 9'

## Other Views:



Head

**BOL-G2-103D-MCTP-BK**  
G2 BOLLARD HEAD MODEL 103D

+



Shaft

Avail.in:9" / 14" & 19" / 31"  
(Sold Separately)

**BOL-G2-SHAFT-9-BK**  
**BOL-G2-SHAFT-14-BK**  
**BOL-G2-SHAFT-19-BK**  
**BOL-G2-SHAFT-31-BK**

+



Anchor Bolts  
& Mounting Plate  
(Sold Separately)

**BOL-G2-ABK-R**

=



Head

**BOL-G2-103D-MCTP-BR**  
G2 BOLLARD HEAD MODEL 103F

+



Shaft

Avail.in:9" / 14" & 19" / 31"  
(Sold Separately)

**BOL-G2-SHAFT-9-BR**  
**BOL-G2-SHAFT-14-BR**  
**BOL-G2-SHAFT-19-BR**  
**BOL-G2-SHAFT-31-BR**

+



Anchor Bolts  
& Mounting Plate  
(Sold Separately)

**BOL-G2-ABK-R**

=



## Performance Table: BOL-G2-103D-MCTP

MODEL NO.	Wattage	Voltage	Lumens	Color Temp.	BUG Rating	LPW
BOL-G2-103D-MCTP	14W	120~277V	1750LM	3000K 4000K 5000K	B1-U3-G2	125
	19W		2375LM			
	24W		3000LM			



## Accessories:

Blank = No Option For Accessories

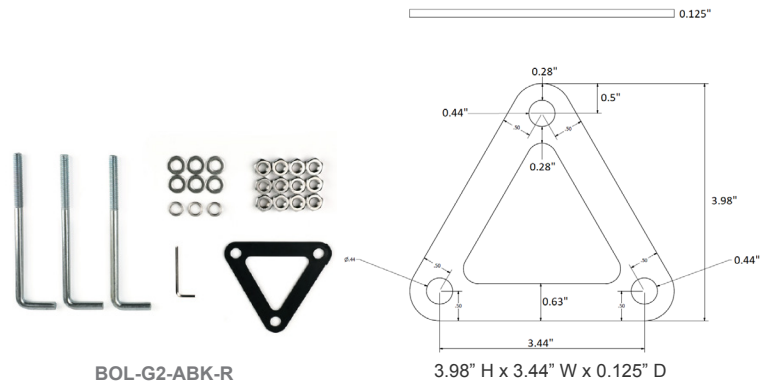
**BOL-G2-SHAFT-31-BK** = G2 Bollard Shaft 31 Inch, Black  
**BOL-G2-SHAFT-31-BR** = G2 Bollard Shaft 31 Inch, Bronze  
**BOL-G2-SHAFT-19-BK** = G2 Bollard Shaft 19 Inch, Black  
**BOL-G2-SHAFT-19-BR** = G2 Bollard Shaft 19 Inch, Bronze  
**BOL-G2-SHAFT-14-BK** = G2 Bollard Shaft 14 Inch, Black  
**BOL-G2-SHAFT-14-BR** = G2 Bollard Shaft 14 Inch, Bronze  
**BOL-G2-SHAFT-9-BK** = G2 Bollard Shaft 9 Inch, Black  
**BOL-G2-SHAFT-9-BR** = G2 Bollard Shaft 9 Inch, Bronze  
**BOL-G2-ABK-R** = G2 Bollard Round Replacement Anchor  
**BOL-G2-ABK-R** = G2 Bollard Round Replacement Anchor Bolts & Mounting Plate  
**BOL-G2-103-LAK-BK** = G2 Bollard Louver Kit For Model 103, Black  
**BOL-G2-103-LAK-BR** = G2 Bollard Louver Kit For Model 103, Bronze  
**BOL-R-ACC-FLOPT-PC-B** = Button Photocell  
**BOL-G2-103-LAK-BR** = G2 Bollard Louver Kit For Model 103, Bronze  
**BOL-G2-103-LAK-BK** = G2 Bollard Louver Kit For Model 103, Black

## Factory-Installed Options:

Blank = No Option For Accessories

**OPT-EM-OD1INT** = Emergency Backup Internal Battery, Back Box  
**OPT-CRL-95(BK/GR/SR/WH)** = Paint  
**OPT-SEN-WMC** = Microwave Bi-Level Sensor

## ACCESSORIES:



## FACTORY-INSTALLED OPTION:



**COLOR CHART:** \* Choose from one of our Premium Colors with no set-up fee.

**Gloss:**



SILVER METALLIC  
70 GLOSS  
T357-GR105



SILVER METALLIC  
30 GLOSS  
T353-GR06



DARK RED 90  
GLOSS  
P009-RD02



INTERNATIONAL  
ORANGE 90  
GLOSS  
T009-OG26



SAFETY ORANGE  
90 GLOSS  
T009-OG01



YELLOW 90  
GLOSS  
T009-YL14



YELLOW 90  
GLOSS  
T009-YL01



TRAFFIC GREEN  
70 GLOSS  
T007-GN16



GREEN 70 GLOSS  
T007-GN13



GREEN 60 GLOSS  
C006-GN03



BLUE 90 GLOSS  
T009-BL01



DARK BLUE 80  
GLOSS  
T008-BL20



RAL 8028 TERRA  
BROWN 90 GLOSS  
C209-BR358

**Hammer:**



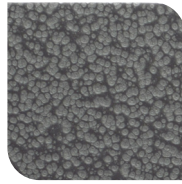
WHITE HAMMER  
T013-WH09



BEIGE HAMMER  
T013-BG38



GREY HAMMER  
C013-GR08



SILVER  
HAMMERTONE  
T064-GR05



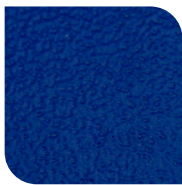
BLACK HAMMER  
T013-BK62



RED HAMMER  
T013-RD15



GREEN HAMMER  
T013-GN220



BLUE HAMMER  
T013-BL468



BRONZE HAMMER  
T012-BR161

**Texture:**



WHITE TEXTURE  
C031-WH120



FLINT GRAY  
TEXTURE  
T243-GR522



BLACK TEXTURE  
C241-BK109



RED TEXTURE  
T241-RD129



BLUE TEXTURE  
C241-BL544

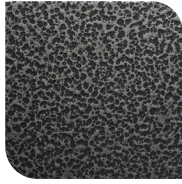


OIL RUBBED  
BRONZE TEXTURE  
T291-BR251

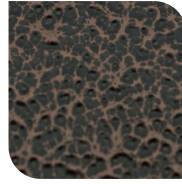
**Vein:**



BLACK/WHITE  
VEIN  
T075-WH34



SILVER VEIN  
T375-BK26



COPPER VEIN  
EXTERIOR  
T075-BK211



GOLD VEIN  
T375-BK10



COPPER VEIN  
T375-BK07